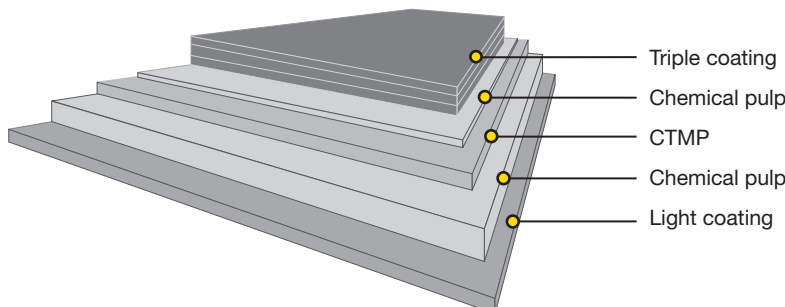


Fully coated CTMP board with white coated reverse



Issued: 08.2016
Cancels: 06.2015

Technical specification

Property / Unit	Tolerance											Standards
Grammage, g/m ²	+3%/-5%	180	200	215	230	245	260	280	300	320	345	ISO 536
Thickness, µm	±5%	255	305	330	360	390	415	455	495	535	585	ISO 534
Bending moment Taber 15° MD, mNm	-15%	5.2	7.1	9.0	10.8	13.8	16.6	20.8	24.9	29.8	36.9	ISO 2493
Bending moment Taber 15° CD, mNm	-15%	2.6	3.5	4.4	5.3	6.8	8.1	10.1	12.1	14.6	18.1	
Bending resistance L&W 15° MD, mN	-15%	108	147	186	224	286	343	430	515	618	765	
Bending resistance L&W 15° CD, mN	-15%	53	72	91	110	140	167	210	250	303	375	
Moisture, %	±1	6.2	6.8	7.2	7.8	8.0	8.1	8.3	8.6	8.7	8.8	ISO 287
ISO Brightness C/2°, %, Top	min. 89	92	92	92	92	92	92	92	92	92	92	ISO 2470
ISO Brightness C/2°, %, Reverse	min. 87	90	90	90	90	90	90	90	90	90	90	
CIE Whiteness D65/10°, Top		122	122	122	122	122	122	122	122	122	122	ISO 11475
CIE Whiteness D65/10°, Reverse		120	120	120	120	120	120	120	120	120	120	
L*, Top		95.5	95.5	95.5	95.5	95.5	95.5	95.5	95.5	95.5	95.5	
a*, Top		1.9	1.9	1.9	1.9	1.9	1.9	1.9	1.9	1.9	1.9	
b*, Top		-7.5	-7.5	-7.5	-7.5	-7.5	-7.5	-7.5	-7.5	-7.5	-7.5	
Surface Smoothness, PPS 10, µm, Top	max. 1.5	1.0	1.0	1.0	1.0	1.0	1.0	1.0	1.0	1.0	1.0	ISO 8791-4
Surface Smoothness, PPS 10, µm, Reverse	max. 7.5	5.5	5.5	5.5	5.5	5.5	5.5	5.5	5.5	5.5	5.5	
Gloss 75°, %		45	45	45	45	45	45	45	45	45	45	ISO 8254-1
Scott Bond, J/m ²	min. 110	145	145	145	145	145	145	145	145	145	145	TAPPI 569
Cobb 60, g/m ² , Top	max. 60	30	30	30	30	30	30	30	30	30	30	ISO 535
Cobb 60, g/m ² , Reverse	max. 60	30	30	30	30	30	30	30	30	30	30	

All properties according to Fors Mill measurements.

Test climate 23°C / 50 % RH (according to ISO 187).

Tolerances based upon 95 % confidence limits, apply to reel/pallet average. In order to verify, reel/pallet average shall be based on 5 single measurements randomly sampled within the reel/pallet. These averages will be for at least 19 of 20 reels/pallets within the specification limits.

Certificates

Quality management ISO 9001
Environmental management ISO 14001
Product safety ISO 22000
Health and safety OHSAS 18001
Energy management ISO 50001
Forest certification and Chain-of-Custody, FSC® (logo licence number FSC-C105192), PEFC™ (logo licence number PEFC/02-31-71)

Paperboard is recyclable 