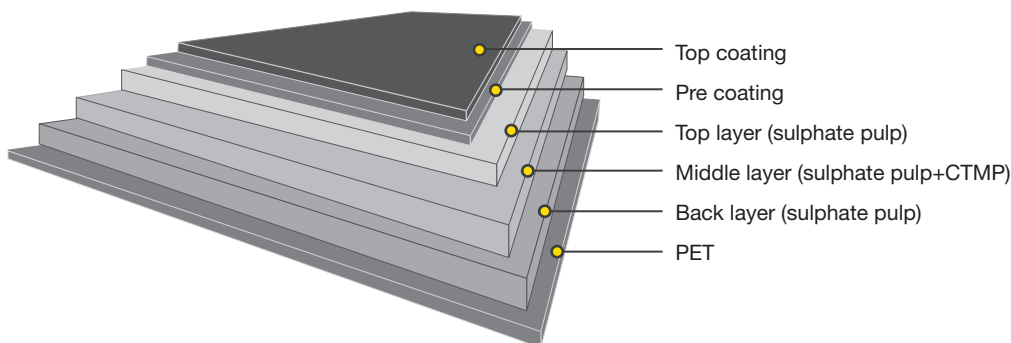


Trayforma Special™ PET

PET coated board for folded tray and lid applications



Issued: 07.2016
Cancels: 10.2015

Technical specification

Property/Unit	210+50	230+50	255+50	270+50	295+50	320+50	Standards
PET coated board:							
Grammage, g/m ²	260	280	305	320	345	370	ISO 536
PET reverse, g/m ²	50	50	50	50	50	50	Mill method
Thickness, µm	310	350	380	420	460	500	ISO 534
Baseboard:							
Grammage, g/m ²	210	230	255	270	295	320	ISO 536
Thickness, µm	280	320	350	390	430	470	ISO 534
Bending resistance L&W 15° MD, mN	155	215	270	360	475	600	ISO 2493-1
Bending resistance L&W 15° CD, mN	70	95	125	165	210	270	
Moisture, %	6.5	6.5	6.5	6.5	6.5	6.5	ISO 287
Brightness D65/10, Top	85	85	85	85	85	85	ISO 2470-2
Surface Smoothness, Bendtsen, ml/min	40	40	40	50	50	50	ISO 8791-2
Stretch CD, %	6.0	6.0	6.0	6.0	6.0	6.0	ISO 1924-3

• OBA not added

All properties according to Imatra Mills' measurements.

Test climate 23°C/50% RH (According to ISO 187).

In order to verify, reel/pallet average shall be based on 5 single measurements randomly sampled within the reel/pallet. These averages will be for at least 19 of 20 reels/pallets within the specification limits.

Certificates

Quality management ISO 9001
Environmental management ISO 14001
Product safety FSSC 22000
Product safety ISO 22000
Health and safety OHSAS 18001
Energy management ISO 50001

Forest certification and Chain-of-Custody, FSC® (logo licence number FSC-C105192), PEFC™ (logo licence number PEFC/02-31-71)

Paperboard is recyclable 