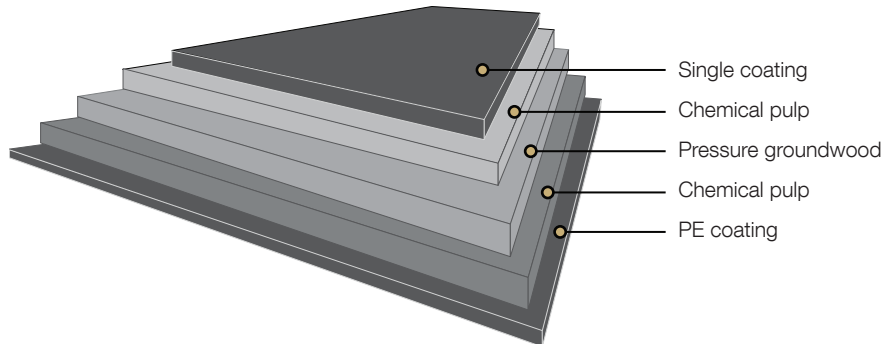


Coated folding boxboard (GC2)



Issued: 12.2013
Cancels: 06.2013

Specifications for Tamfold:

Property/Unit	Tolerance	190+15	200+15	210+15	220+15	230+15	240+15	250+15	260+15	275+15	300+15	325+15	Standards
Polymer coated board:													
Grammage, g/m ²		205	215	225	235	245	255	265	275	290	315	340	ISO 536
Polymer reverse, g/m ²		15	15	15	15	15	15	15	15	15	15	15	Mill method
Thickness, µm		365	390	415	435	455	475	495	515	555	615	665	ISO 536
Baseboard:													
Grammage, g/m ²	±4%	190	200	210	220	230	240	250	260	275	300	325	ISO 536
Thickness, µm	±4% or max. ±20µm	350	375	400	420	440	460	480	500	540	600	650	ISO 534
Bending moment Taber 15° MD, mNm	-10%	8.7	10.2	12.4	14.1	15.7	17.5	19.9	21.9	25.8	32.9	39.7	ISO 2493
Bending moment Taber 15° CD, mNm	-10%	4.6	5.5	6.6	7.5	8.3	9.3	10.5	11.6	13.6	17.3	20.9	
Bending stiffness DIN 5° MD, mNm	-10%	17.4	20.3	24.7	28.1	31.3	34.9	39.7	43.7	51.5	65.6	79.2	DIN 53121
Bending stiffness DIN 5° CD, mNm	-10%	9.2	11.0	13.2	15.0	16.6	18.6	20.9	23.1	27.1	34.5	41.7	
Moisture, %	±1	7.5	8.0	8.0	8.0	8.0	8.0	8.0	8.0	8.5	8.5	9.2	ISO 287
ISO Brightness C/2°, %, Top	±2	80	80	80	80	80	80	80	80	80	80	80	ISO 2470-1
Surface Smoothness PPS 10, µm	max. 2.8	2.4	2.4	2.4	2.4	2.4	2.4	2.4	2.4	2.4	2.4	2.4	ISO 8791-4
Scott Bond, J/m ²	min. 100	130	130	130	130	130	130	130	130	130	130	130	TAPPI 569
Edge wicking*, g/mm.m		<1.0	<1.0	<1.0	<1.0	<1.0	<1.0	<1.0	<1.0	<1.0	<2.0	<2.0	
Robinson chocolate test		max. 0.5 for one year storage in reels/pallets											EN 1230-2

OBA not added

*) For hardsized

All properties according to Ingerois and Forshaga Mills' measurements.

Test climate 23 °C/50% RH (according to ISO 187). Tolerances – based upon 95% confidence limits, apply to reel/pallet average. In order to verify, reel/pallet average shall be based on 5 single measurements randomly sampled within the reel/pallet. These averages will be for at least 19 of 20 reels/pallets within the specification limits.

Ingerois Mill has certified FSC® and PEFC™ Chain-of-Custody (CoC) systems as well as certified hygiene management system.

FSC® logo licence number FSC-C105192
PEFC™ logo licence number PEFC/02-31-71