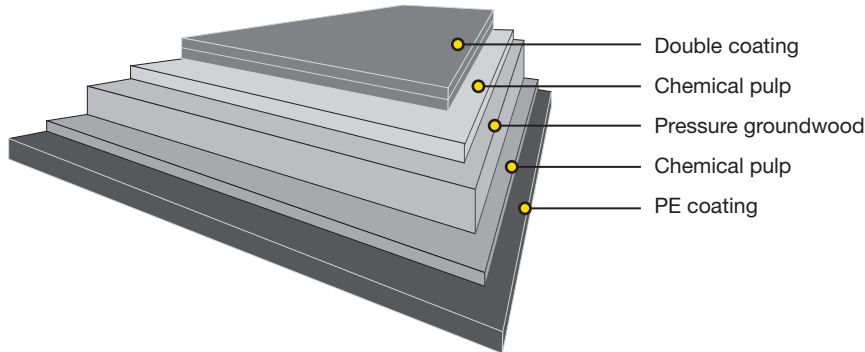


Fully coated folding boxboard (GC2)



Issued: 04.2014
Cancels: 11.2013

Technical specification

Property/Unit	Tolerance	200+15	210+15	220+15	230+15	240+15	250+15	260+15	270+15	285+15	310+15	335+15	Standards
Polymer coated board:													
Grammage, g/m ²		215	225	235	245	255	265	275	285	300	325	350	ISO 536
Polymer reverse, g/m ²		15	15	15	15	15	15	15	15	15	15	15	Mill method
Thickness, µm		365	390	415	435	455	475	495	515	555	615	665	ISO 534
Baseboard:													
Grammage, g/m ²	±4%	200	210	220	230	240	250	260	270	285	310	335	ISO 536
Thickness, µm	±4% or max. ±20µm	350	375	400	420	440	460	480	500	540	600	650	ISO 534
Bending moment Taber 15° MD, mNm	-10%	9.0	10.7	12.4	14.3	16.2	18.1	20.5	23.0	27.6	35.5	43.7	ISO 2493
Bending moment Taber 15° CD, mNm	-10%	5.0	5.9	6.8	7.8	8.8	9.8	11.0	12.3	14.6	18.5	22.4	
Bending stiffness DIN 5° MD, mNm	-10%	18.0	21.3	24.7	28.5	32.3	36.1	40.9	45.9	55.1	70.8	87.2	DIN 53121
Bending stiffness DIN 5° CD, mNm	-10%	10.0	11.8	13.6	15.6	17.6	19.6	21.9	24.5	29.1	36.9	44.7	
Moisture, %	±1	8.0	8.0	8.0	8.0	8.0	8.0	8.0	8.0	8.5	8.5	9.0	ISO 287
ISO Brightness C/2°, %, Top	±2	86	86	86	86	86	86	86	86	86	86	86	ISO 2470-1
Surface Smoothness, PPS 10, µm	max. 1.5	1.2	1.2	1.2	1.2	1.2	1.2	1.2	1.2	1.2	1.2	1.2	ISO 8791-4
Scott Bond, J/m ²	min. 100	130	130	130	130	130	130	130	130	130	130	130	TAPPI 569
Edge wicking*, g/mm.m		<1.0	<1.0	<1.0	<1.0	<1.0	<1.0	<1.0	<1.0	<1.0	<2.0	<2.0	
Robinson chocolate test		max. 0.5 for one year storage in reels/pallets											EN 1230-2

*) For hardsized

All properties according to Ingerois and Forshaga Mills' measurements.

Test climate 23°C/50% RH (according to ISO 187). Tolerances – based upon 95 % confidence limits, apply to reel/pallet average. In order to verify, reel/pallet average shall be based on 5 single measurements randomly sampled within the reel/pallet. These averages will be for at least 19 of 20 reels/pallets within the specification limits.

Certificates

Quality management ISO 9001
Environmental management ISO 14001
Product safety ISO 22000
Health and safety OHSAS 18001
Energy management ISO 50001
Forest certification and Chain-of-Custody, FSC® (logo licence number FSC-C105192), PEFC™ (logo licence number PEFC/02-31-71)

Paperboard is recyclable 