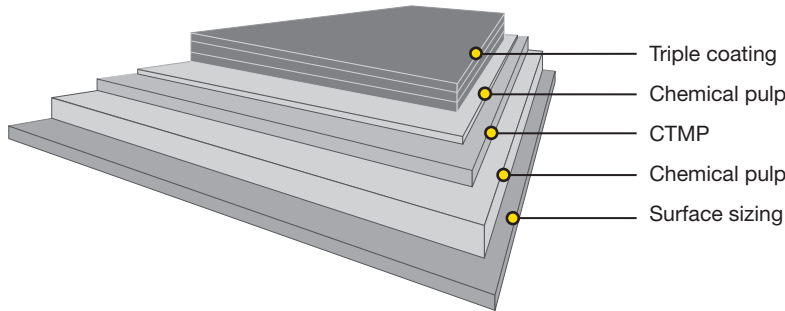


Fully coated CTMP board with white uncoated reverse



Issued: 11.2016
Cancels: 09.2013

Technical specification

Property / Unit	Tolerance											Standards
Grammage, g/m ²	+3%/-5%	225	235	250	260	270	285	295	320	355	ISO 536	
Thickness, µm	±5%	350	380	415	430	450	485	505	560	625	ISO 534	
Bending stiffness DIN 5° MD, mNm	-15%	21.3	27.7	36.3	40.1	45.7	54.0	59.5	73.4	90	ISO 2493	
Bending stiffness DIN 5° CD, mNm	-15%	8.5	11.1	14.5	16.0	18.3	21.6	23.8	29.4	36.1		
Bending moment Taber 15° MD, mNm	-15%	12.6	15.0	18.6	21.0	23.2	27.3	29.7	36.2	44.2		
Bending moment Taber 15° CD, mNm	-15%	5.1	5.8	7.7	8.2	9.4	11.1	12.1	14.7	18.4		
Bending resistance L&W 15° MD, mN	-15%	260	310	385	435	480	565	615	750	915		
Bending resistance L&W 15° CD, mN	-15%	105	120	160	170	195	230	250	305	380		
Moisture, %	±1	7.9	7.9	7.9	8.0	8.0	8.0	8.2	8.5	9.0	ISO 287	
ISO Brightness C/2°, %, Top	min. 87	90	90	90	90	90	90	90	90	90	ISO 2470	
ISO Brightness C/2°, %, Reverse		82	82	82	82	82	82	82	82	82		
CIE Whiteness D65/10°, Top		120	120	120	120	120	120	120	120	120	ISO 11475	
CIE Whiteness D65/10°, Reverse		95	95	95	95	95	95	95	95	95		
Surface Smoothness, PPS 10, µm	max. 1.7	1.0	1.0	1.0	1.0	1.0	1.0	1.0	1.0	1.0	ISO 8791-4	
Gloss 75°, %		45	45	45	45	45	45	45	45	45	ISO 8254-1	
Scott Bond, J/m ²	min. 100	145	145	145	145	145	145	145	145	145	TAPPI 569	
Edge wicking*, g/mm.m	max. 1.0	0.5	0.5	0.5	0.5	0.5	0.5	0.5	0.5	0.5		
Cobb 60, g/m ² , Top	max. 60	30	30	30	30	30	30	30	30	30	ISO 535	
Cobb 60, g/m ² , Reverse		50	50	50	50	50	50	50	50	50		
Robinson chocolate test		max 0.5 for one year storage in reels/pallets									PrEN1230-2	

*) Hardsized available in all grammages.

All properties according to Fors Mill measurements.

Test climate 23°C/50% RH (According to ISO 187). Tolerances based upon 95 % confidence limits, apply to reel/pallet average. In order to verify, reel/pallet average shall be based on 5 single measurements randomly sampled within the reel/pallet. These averages will be for at least 19 of 20 reels/pallets within the specification limits.

Certificates

Quality management ISO 9001
Environmental management ISO 14001
Product safety ISO 22000
Health and safety OHSAS 18001
Energy management ISO 50001
Forest certification and Chain-of-Custody, FSC® (logo licence number FSC-C105192), PEFC™ (logo licence number PEFC/02-31-71)

Paperboard is recyclable 