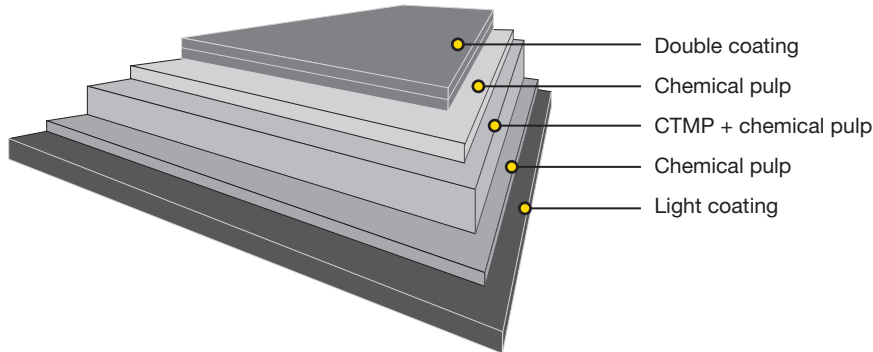


Fully coated CTMP board with coated reverse



Issued: 09.2013
Cancels: 06.2013

Technical specification

Property / Unit	Tolerance									Standards
Grammage, g/m ²	±5%	200	220	240	260	280	300	325	350	ISO 536
Thickness, µm	±5%	260	290	330	365	400	430	470	515	ISO 534
Bending stiffness DIN 5° MD, mNm	-15%	10.3	15.5	20.5	26.9	34.0	41.1	50.3	59.4	
Bending stiffness DIN 5° CD, mNm	-15%	5.1	7.3	9.5	12.2	15.4	18.8	23.7	29.2	
Bending moment Taber 15° MD, mNm	-15%	6.0	8.8	11.6	15.3	19.3	23.4	28.6	33.8	
Bending moment Taber 15° CD, mNm	-15%	2.9	4.2	5.4	6.9	8.8	10.7	13.5	16.6	
Bending resistance L&W 15° MD, mN	-15%	121	182	241	316	400	484	592	699	ISO 2493-1
Bending resistance L&W 15° CD, mN	-15%	60	86	112	144	181	221	279	343	
Moisture, %		6.5	6.5	6.5	6.5	6.5	6.5	6.5	6.5	ISO 287
ISO Brightness C/2°, %, Top	min. 88	91.5	91.5	91.5	91.5	91.5	91.5	91.5	91.5	ISO 2470-1
ISO Brightness C/2°, %, Reverse	min. 85	88.5	88.5	88.5	88.5	88.5	88.5	88.5	88.5	
Brightness D65/10°, %		98.5	98.5	98.5	98.5	98.5	98.5	98.5	98.5	ISO 2470-2
CIE Whiteness D65/10°, Top		118	118	118	118	118	118	118	118	ISO 11475
CIE Whiteness D65/10°, Reverse		108	108	108	108	108	108	108	108	
Surface Smoothness, PPS 10, µm, Top		1.0	1.0	1.0	1.0	1.0	1.0	1.0	1.0	ISO 8791-4
Surface Smoothness, PPS 10, µm, Reverse		4.0	4.0	4.0	4.0	4.0	4.0	4.0	4.0	
Surface Smoothness, Bendtsen, ml/min		30	30	30	30	30	30	30	30	ISO 8791-2
Gloss 75, %		45	45	45	45	45	45	45	45	ISO 8254-1
Scott Bond, J/m ²		200	200	200	200	200	200	200	200	TAPPI 569 om-09

All properties according to Imatra Mill measurements.

Test climate 23°C/50% RH (according to ISO 187). In order to verify, reel/pallet average shall be based on 5 single measurements randomly sampled within the reel/pallet. These averages will be for at least 19 of 20 reels/pallets within the specification limits.

Certificates

Quality management ISO 9001
Environmental management ISO 14001
Product safety ISO 22000
Health and safety OHSAS 18001
Energy management ISO 50001
Forest certification and Chain-of-Custody, FSC® (logo licence number FSC-C105192), PEFC™ (logo licence number PEFC/02-31-71)

Paperboard is recyclable 