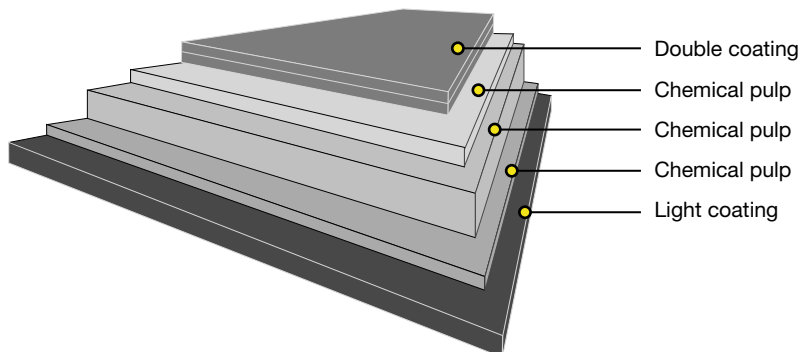


Coated SBS board with light coating on reverse



Issued: 01.2017
Cancels: 09.2016

Technical specification

Property / Unit	Tolerance													Standards
Grammage, g/m ²	±4%	180*	190	210	220**	230	250	275	300	330	350	380	ISO 536	
Thickness, µm	±4%	195	200	230	265	270	300	330	365	415	445	485	ISO 534	
Bending stiffness DIN 5° MD	-15%	5.5	6.4	8.9	11.5	13.6	17.9	23.0	31.9	42.5	49.3	62.9		
Bending stiffness DIN 5° CD	-15%	2.1	3.0	4.3	5.0	6.4	8.5	11.1	15.3	20.4	23.0	29.8		
Bending moment Taber 15° MD, mNm	-15%	3.0	3.6	5.1	6.0	7.7	10.1	13.0	18.1	24.2	28.0	35.7		
Bending moment Taber 15° CD, mNm	-15%	1.5	1.7	2.4	3.0	3.6	4.8	6.3	8.7	11.6	13.0	16.9		
Bending resistance L&W 15° MD, mN	-15%	60	75	105	120	160	210	270	375	500	580	740	ISO 2493-1	
Bending resistance L&W 15° CD, mN	-15%	26	35	50	60	75	100	130	180	240	270	350		
Moisture, %		6.5	6.5	6.5	6.5	6.5	6.5	6.5	6.5	6.0	6.0	6.0	ISO 287	
ISO Brightness C/2°, %, Top		95	95	95	95	95	95	95	95	95	95	95	ISO 2470-1	
ISO Brightness C/2°, %, Reverse			93	93	93	93	93	93	93	93	93	93		
CIE Whiteness D65/10°, Top		135	135	135	135	135	135	135	135	135	135	135	ISO 11475	
CIE Whiteness D65/10°, Reverse			130	130	130	130	130	130	130	130	130	130		
L* D65/10°, Top		96.5	96.5	96.5	96.5	96.5	96.5	96.5	96.5	96.5	96.5	96.5	ISO 5631-2	
a* D65/10°, Top		2.5	2.5	2.5	2.5	2.5	2.5	2.5	2.5	2.5	2.5	2.5		
b* D65/10°, Top		-10.5	-10.5	-10.5	-10.5	-10.5	-10.5	-10.5	-10.5	-10.5	-10.5	-10.5		
Surface Smoothness PPS 10, µm, Top	max 1.4	1.0	0.9	0.9	0.9	0.9	0.9	0.9	0.9	0.9	0.9	0.9	ISO 8791-4	
Surface Smoothness PPS 10, µm, Reverse			<4.0	<4.0	<4.0	<4.0	<4.0	<4.0	<5.0	<5.0	<5.0	<5.0		
Surface Smoothness Bendtsen, ml/min, Top		20	20	20	20	20	20	20	20	20	20	20	ISO 8791-2	
Surface Smoothness Bendtsen, ml/min, Reverse			<100	<100	<200	<200	<200	<200	<200	<300	<300	<400		
Scott Bond, J/m ²		220	220	220	220	220	220	220	220	220	220	220	TAPPI 569 om-09	
Gloss 75°, %, Top		48	48	48	48	48	48	48	48	48	48	48	ISO 8254-1	
Robinson chocolate test		<1 for one year storage in reels/pallets											EN 1230-2	

*) Uncoated on reverse. Limited availability
**) Limited availability

All properties according to Imatra Mill measurements.

Test climate 23°C/50% RH (according to ISO 187). In order to verify, reel/pallet average shall be based on 5 single measurements randomly sampled within the reel/pallet. These averages will be for at least 19 of 20 reels/pallets within the specification limits.

Certificates

Quality management ISO 9001
Environmental management ISO 14001
Product safety ISO 22000
Health and safety OHSAS 18001
Energy management ISO 50001
Forest certification and Chain-of-Custody, FSC® (logo licence number FSC-C105192), PEFC™ (logo licence number PEFC/02-31-71)

Paperboard is recyclable 