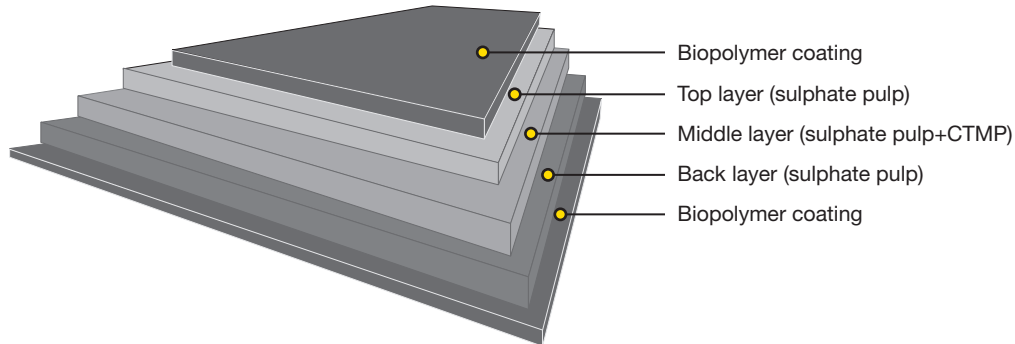


Cupforma Natura™ 2BIO

Bleached cup board



Issued: 12.2015
Cancels: 05.2012

Technical specification

	25+170+25	25+184+25	25+195+25	25+214+25	25+232+25	25+260+25	25+295+25	25+330+25	Standard
Polymer coated board:									
Grammage, g/m ²	220	234	245	264	282	310	345	380	ISO 536
Bio topside, g/m ²	25	25	25	25	25	25	25	25	Mill method
Bio reverse, g/m ²	25	25	25	25	25	25	25	25	
Thickness, µm	255	290	315	340	370	410	450	490	ISO 534
Baseboard:									
Grammage, g/m ²	170	184	195	214	232	260	295	330	ISO 536
Thickness, µm	215	250	275	300	330	370	410	450	ISO 534
Bending resistance L&W 15° MD, mN	65	95	130	160	215	290	380	500	ISO 2493
Bending resistance L&W 15° CD, mN	28	43	55	75	95	130	170	230	
Moisture, %	9.0	8.0	8.0	8.0	8.0	8.0	8.0	8.0	ISO 287
Brightness D65/10, Top	83	83	84	84	84	84	84	84	ISO 2471-2
Surface Smoothness, Bendtsen, ml/min	200	200	250	250	300	300	300	300	ISO 8791-2
Stretch CD, %	6.0	6.0	6.0	6.0	6.0	6.0	6.0	6.0	ISO 1924-3

All properties according to Imatra Mills' measurements.

Test climate 23°C/50% RH (according to ISO 187).
In order to verify, reel/pallet average shall be based on 5 single measurements randomly sampled within the reel/pallet. These averages will be for at least 19 of 20 reels/pallets within the specification limits.

Certificates

Quality management ISO 9001
Environmental management ISO 14001
Product safety FSSC 22000
Product safety ISO 22000
Health and safety OHSAS 18001
Energy management ISO 50001
Forest certification and Chain-of-Custody, FSC® (logo licence number FSC-C105192), PEFC™ (logo licence number PEFC/02-31-71)

Paperboard is recyclable 